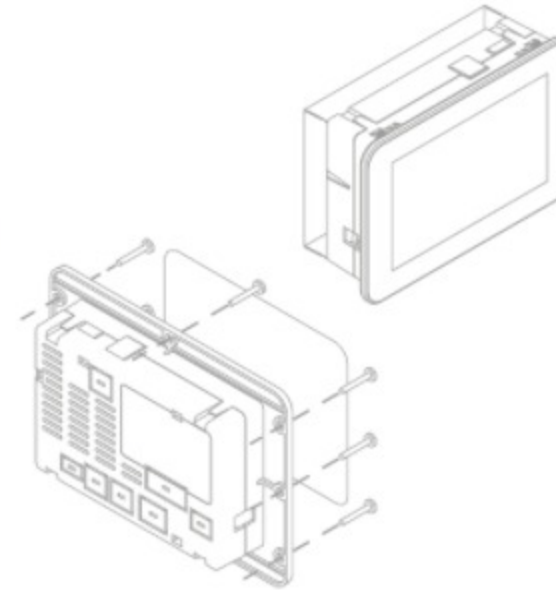




Vcolor 229/249, controllers for temperature and humidity units and cold rooms

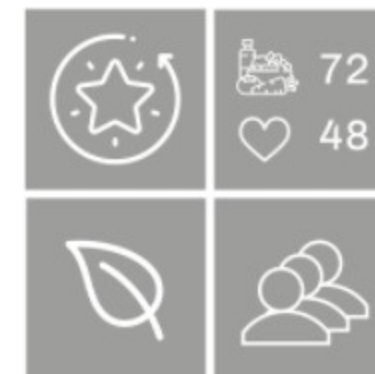
The controller, with its 5" or 7" TFT glass graphic display and 9 HC relays which can be expanded to 13, can be configured for hot, cold and neutral zone preservation of products, as well as controlling humidity. A further output can be configured to modulate the compressor or the fan speed. A back-up module can also be integrated to manage emergencies in the event of a power failure.



Humidity is managed either through on-off evaporator fan cycles or an external humidifier or dehumidifier. The controller can be programmed to measure relative humidity through the combined T/RH EVHTP520 probe or a high-precision RH 4... 20 mA transducer such as EVHP523.



Access to the controller is protected by multi-level passwords and features intuitive navigation with graphs reporting trends, alarms and HACCP events which can be viewed on the display. It has 3 energy-saving levels, 72 OEM programmes for food preservation, a further memory slot for 48 programmes which can be customised by the user and 4 special cycles (pull-down, continuous cycle, sanitation and thawing). A testing cycle can be performed and the outputs can also be tested.



The controller's innovative programmable platform gives manufacturers the freedom to personalise the graphic skin and OEM programmes and add new languages. All they have to do is compile an ODS file and upload it to the oven's controller using a flash drive, thanks to the USB port on the user interface.



Users can interact remotely with their equipment, including starting/stopping working cycles, using the EPoCA® cloud platform with Wi-Fi or Ethernet connectivity (which also enables alternative or parallel control through MODBUS TCP).



[Know more about Vcolor 229/249](#)

Follow us:



Via Feltre 81
Sedico, Belluno 32036 IT
MailUp, www.evco.it
04378422 EVCO

[Stop receiving these messages](#)

Message sent with MailUp®. You receive this notice because you have requested to receive periodic information about EVCO news, or because you have contacted our operator